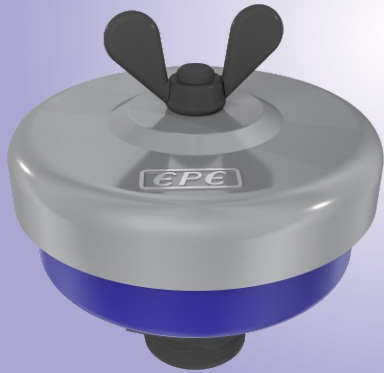


Industrial Filters  
Hydropneumatic Accumulators  
Pressure Switches  
Temperature Switches



EPE

## Breather filters

Type	Pressure	Flow rate
TLF-I, TLF-II, TLF-III	–	G 1... G 3



EPE

## Pressure switches [screw-in / block types]

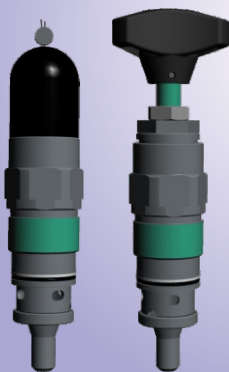
Type	Pressure	Connection
PST1, PST3, PSB	Upto 600 bar	BSP, BSPT Metric, NPT



EPE

## Temperature switches

Type	Temp.	Connection
TST1, TST2	Upto 120 deg.C	BSP, BSPT Metric, NPT



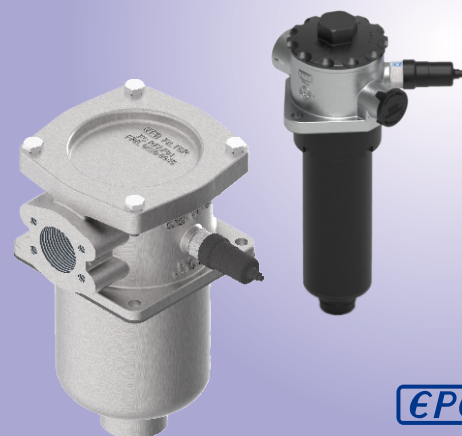
EPE

## Pressure relief valves

Type	Pressure	Connection
PRVS, PRVK	Upto 600 bar	Screw-in Cartridge

## Return line filters

Type	Pressure	Connection
10 FRE 16 FR/L.. FR/LN..... DIN 24550	10/16 bar	G 3/4 - 1-1/2. SAE 1-1/4... SAE 4



EPE

## Duplex return line filters

Type	Pressure	Connection
10 FRD 16 FR/LD, 16 FR/LDN..... DIN 24550	10/16 bar	G 3/4 - 1-1/2. SAE 1-1/4... SAE 4



EPE

## In-line filters

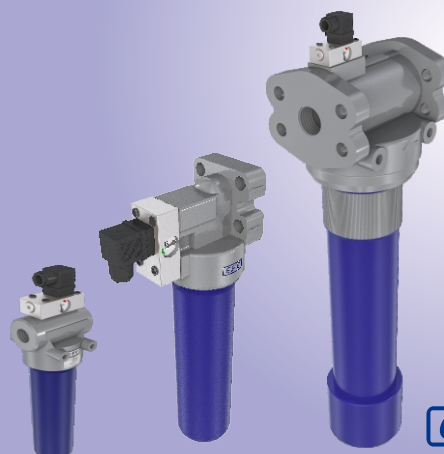
Type	Pressure	Connection
40/160 LE 40/160 LEN..... DIN 24550	40/160 bar	G 1... G 1 1/2
40/100 FLE 40/100 FLEN..... DIN 24550	40/100 bar	DN 50... DN 100
40 FLE 40 FLEN..... DIN 24550	40 bar	SAE 4"
16 FLE 16 FLEN..... DIN 24550	16 bar	DN 125... DN 300
16/40/45/60 L	16~60 bar	SAE 2" to ANSI 6"



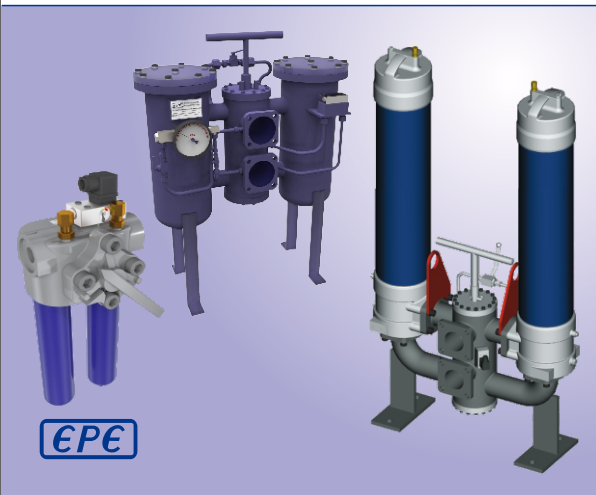
EPE

## High pressure filters

Type	Pressure	Connection
250/450 LE 250/450 LEN..... DIN 24550	250/450 bar	G 3/4 ... SAE 2 1/2"
250/450 FE 250/450 FEN..... DIN 24550		DN 14 ... DN 50



EPE



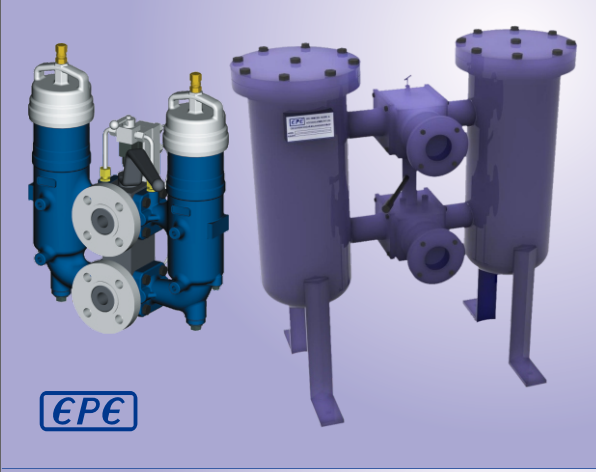
## Duplex filters

Type	Pressure	Connection
40/160 LD 40/160 LDN..... DIN 24550	40/160 bar	G 1. . . SAE 1 1/2"
40/160 FLD 40/160 FLDN..... DIN 24550	40/160 bar	DN 50 . . . DN 100
40 FLD 40 FLDN..... DIN 24550	40 bar	DN 100
16 FLD 16 FLDN..... DIN 24550	16 bar	DN 125. . . DN 300
10/16/25/100 D / DK	10~100 bar	DN 50-100



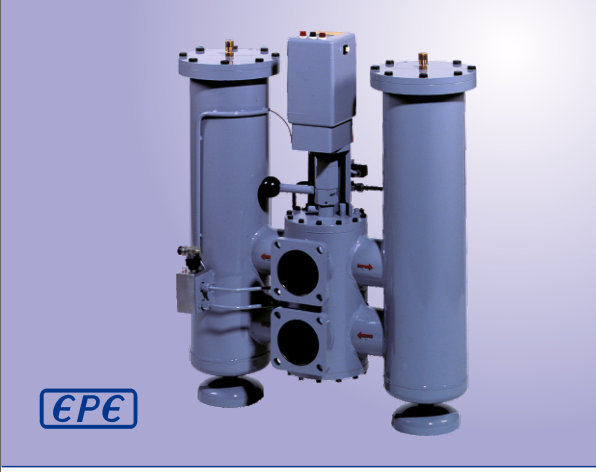
## High pressure duplex filters

Type	Pressure	Connection
250/450 LD 250/450 LDN..... DIN 24550	250/450 bar	G 1/2. . . SAE 2"



## Duplex filters with ball valve

Type	Pressure	Connection
10/16/40 FLDK	10~40 bar	DN 25. . . DN 100...
16/40/45/60 DK	16~60 bar	SAE 2" .. ANSI 6"



## Duplex filters with electric changeover

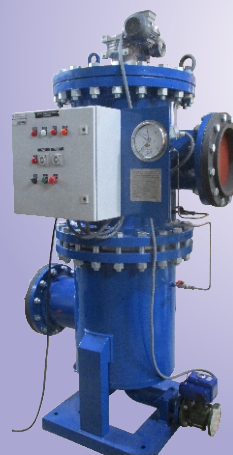
Type	Pressure	Connection
DE	10 bar	DN 50. . . DN 100

## Automatic Back wash filters

### Description

Designed for continuous operation for various low-viscosity fluids like water, fuel, coolants etc.

Compact design with low maintenance cost.



EPE

## Special design

### Description

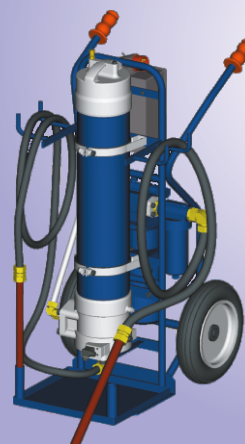
Custom-built filtration solutions



EPE

## Offline filter systems

Type	Nominal flow rate	Pressure
NFF	10 - 170 l/min.	2 - 8 bar



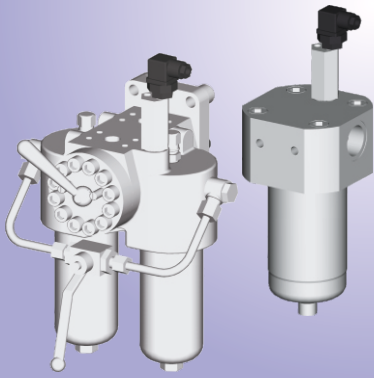
EPE

## Filter elements

Type	Pressure	Filter grade
1., 2., 3., 4., 7.	$\Delta P$ 15. . . 330 bar	1 . . . . . 2000 $\mu m$



EPE



EPE

## Process and Industrial filters

Type	Pressure	Connection
EL, ED, G, DG, LW, DLW, DFLW, SFE, BFE	1 . . . 3000 bar	G 1/2 . . . DN 500



EPE

## Accumulator charging kits

Type	Pressure	Connections
PC..D [plunger type] PCM [allen-key type]	400 bar - 700 bar	5/8" UNF, 7/8" UNF, 1/4" BSP, 5/16: UNEF M28x1.5



EPE

## Accumulator Safety Blocks

Type	Pressure	Size
B & BM	420 bar	10, 20, 25, 32



EPE

## Accumulator stations

Description

Accumulator systems & stations with single/multiple Accumulators (bladder/piston type), Nitrogen back-up bottles, individual safety blocks, charging blocks, safety relief valves, necessary piping (gas & liquid side)... Duly mounted on common stand.

Application : Energy storage.

## Bladder Accumulators

Type	Pressure	Nominal capacity
Bladder accumulators AS, ASHF, ASWD, ASWD	10 - 690 bar	0.2 - 130 Ltrs



EPE

## Bladder Accumulators - Large Volume

Type	Pressure	Nominal capacity
Bladder Accumulators ALV, ALV-HF	16 - 35 bar	100 - 575 Ltrs



EPE

## Diaphragm Accumulators - welded

Type	Pressure	Nominal capacity
Diaphragm accumulators AMW	40 - 350 bar	0.075 - 5 Ltrs



EPE

## Piston Accumulators

Type	Pressure	Nominal capacity
Piston accumulators AP [repairable]	220 - 1000 bar	0.75 - 1500 Ltrs
Piston accumulators APC [non-repairable]	250 bar	0.1 - 8 Ltrs



EPE

## Test Laboratory



### **EPE PROCESS FILTERS & ACCUMULATORS PVT LTD**

#### **Techni Towers**

C-54/A, T.S.I.I.C, Balanagar

Hyderabad - 500 037, Telangana, India

Tel. Nos. : +91-40-23778803/23778804/23871445

Fax Nos. : +91-40-23871447

Internet : [www.epe-india.com](http://www.epe-india.com)

E-mail : [business@epe-india.com](mailto:business@epe-india.com)